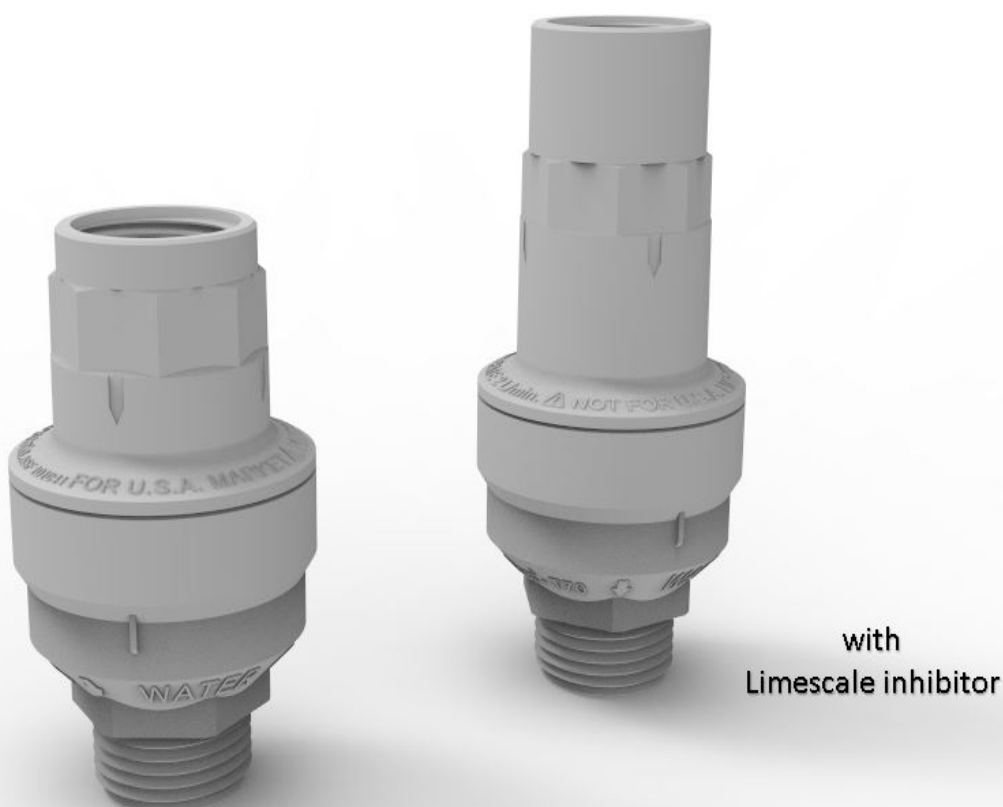
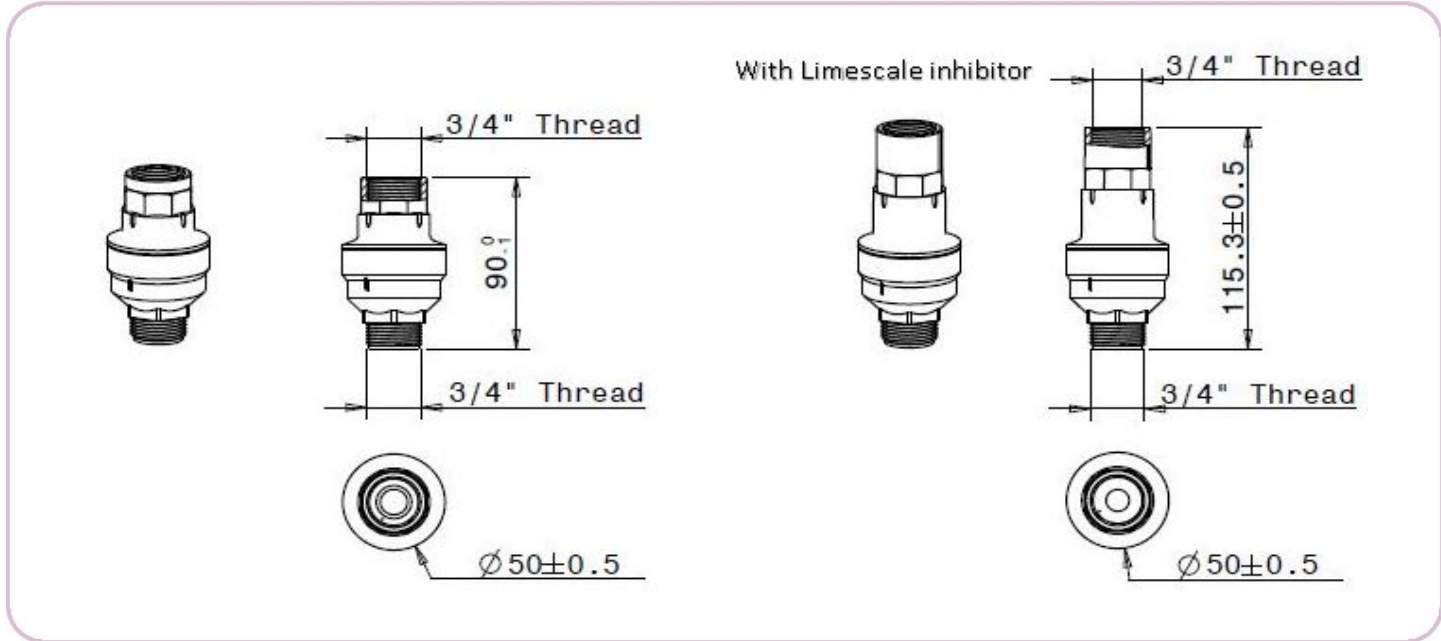


APPLIANCE | Water Block | CODE 100041 - 101179



Description:

The Water Block valve is an overflow safety device, which controls the maximum consumption of water between 5 and 50 litres. Its function is to measure the number of litres of water that have passed through it. If this quantity exceeds the set value, the Water Block stops the flow and keeps this safety condition until user intervention. If the water volume does not exceed the set value, the Water Block mechanically and automatically resets the measured volume and the Water block is ready to restart a new measurement cycle. The Water Block does not require external energy, simply water flow through it. The Water Block is also available with embedded powerful magnets that inhibit limescale build-up (safe for all drinking-water appliances). To reset the water block after a failure case, it is possible to use the optional reset device p/n 100245



Part number: 100041 - 101179

Part name: Water Block

General characteristics:

- ▶ 3/4" - threaded female connection in the inlet (North America-GHT / Europe-BSP).
- ▶ 3/4" - threaded male connection in the outlet (North America-GHT / Europe-BSP).
- ▶ Vertical assembly preferred.
- ▶ Maximum volume value settable by 10 setting notches
- ▶ Every notch increases the set volume of 5 +/-1 l/min
- ▶ Food grade (WRAS, NSF pending)
- ▶ 2002/95/EC Directive (RoHS)
- ▶ Available with limescale inhibitor

Technical data:

Ambient temperature	2 °C ÷ 60 °C
Fluid temperature	2 °C ÷ 70 °C
Operating pressure	0.02 ÷ 1 MPa (0.2 ÷ 10 bar)
Flow rate	From 2 to 30 l/min (from 0.53 to 7.9 gpm)
Resistance to bursting	> 5 MPa (> 50 bar) at 25°C
Rated life-span	> 300.000 litre (> 79000 gal)

Approvals:

